


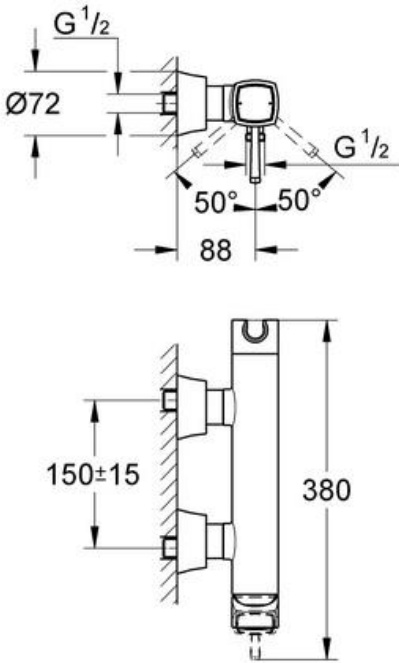






PROJECT		REF		REV	ITEM CODE	
LOCATION		DATE			PAGE	

SANITARY WARE SPECIFICATION SHEET

Item Descriptions	GROHE (Germany) "Grandera" Single-lever shower mixer 1/2"	Illustration/ Drawing
Dimensions	L380 x W88 x H72 mm	 <div style="display: flex; justify-content: space-around; align-items: center;">   </div> 
Model	23316IG0	
Finish / Material	Chrome Plated & Gold	
Country of origin	Germany	
Manufacturer	GROHE Limited	
Supplier	Acme Sanitary Ware Co. Ltd Mr. Eric Wong/ Mr. Don Yuen	
Contact Tel/Fax	(852) 2388-7171 / (852) 2710-8012	
E-mail	acme@acmesanitary.com.hk	
Website	www.acmesanitary.com.hk	
<p>"Grandera" <u>Single-lever shower mixer 1/2 "</u></p> <ul style="list-style-type: none"> · wall mounted · GROHE SilkMove 46 mm ceramic cartridge · GROHE StarLight chrome finish · adjustable flow rate limiter · integrated hand shower holder · shower outlet 1/2" · integrated non-return valve · covered S-unions · protected against backflow <div style="display: flex; justify-content: space-around; align-items: center; margin-top: 20px;">   </div>		

Note:

* All information of the above is for the reference only. No prior notice is made if any changes.



PROJECT		REF		REV	ITEM CODE	
LOCATION		DATE			PAGE	

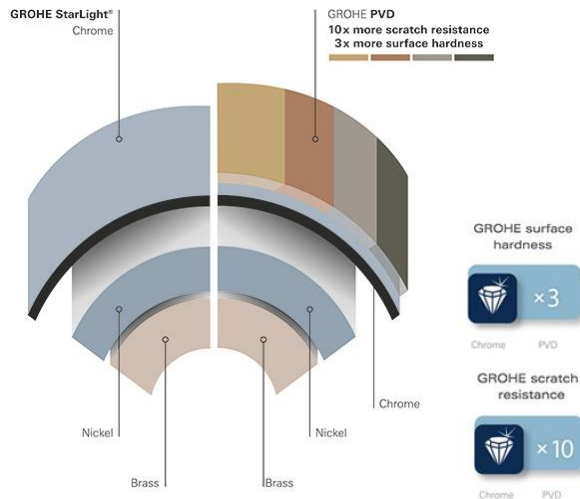
SANITARY WARE SPECIFICATION SHEET

GROHE GRANDERA

TOMORROW'S GRAND STYLE

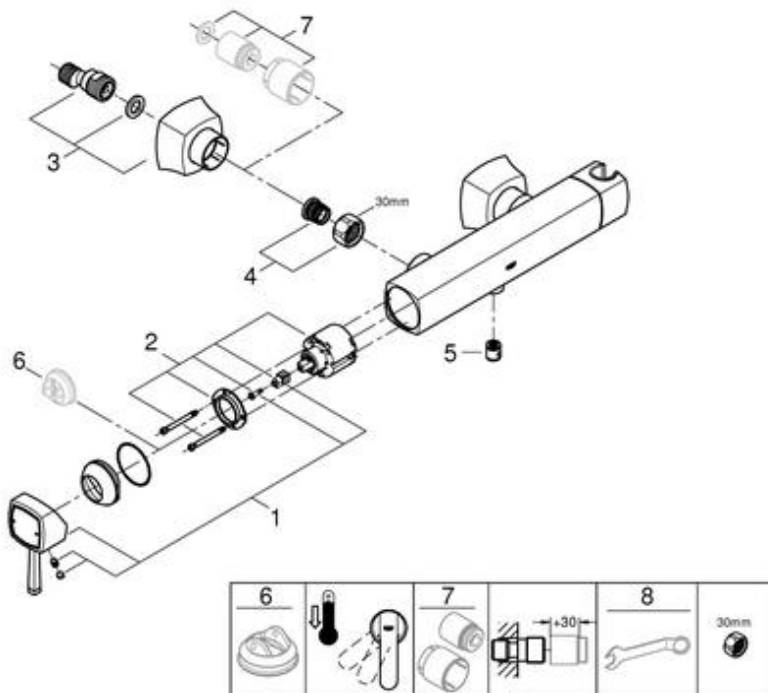
The GROHE Grandera collection is both a homage to an age of grandeur long past and an affirmation of modern sensibility, combining the highest standards of quality and craftsmanship with a love of detail and comfort.

Stylistically, the Grandera collection can be combined with a wide range of bathroom furnishings, with the added flexibility of two colors – chrome and chrome / gold.



GROHE SilkMove cartridge technology for smooth handling

This premium tap comes with a continuously variable water temperature and volume adjustment technology, ensuring effortless lever operation even after years of use.



Pos.-nr.	Prod. description	Order-nr.
1	Lever	46833IG0
2	Cartridge	46048000
3	S-union, exposed	46861000
4	Screw connection 1/2"	45044000
5	Non-return valve	08565000
6	Temperature limiter	46375000*
7	Extension set, 30 mm	46238000*
8	Special spanner	19377000*

* Optional accessories

Note:

* All information of the above is for the reference only. No prior notice is made if any changes.